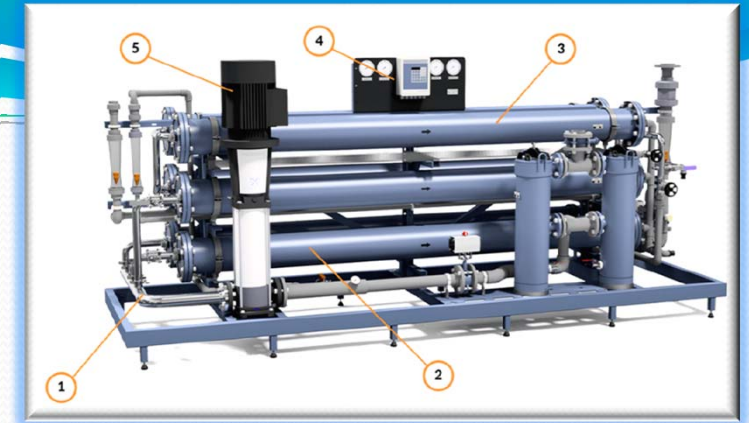


# URANUS TRADING AGENCIES CO. LTD.





**Our company** has been established in 1989 in Baghdad as one of Al-Qabas Economical Group Companies and as a result of successful steps and progressing of the mother company (Al-Qabas Contracting Co. Ltd) & the sister company (Al-Qabas Oil services Co. Ltd) with the need to build up sound relations with the manufacturing companies and suppliers of the equipments, which are used in its projects. Its long run target is to supply the other companies, ministries, different official and private sectors.

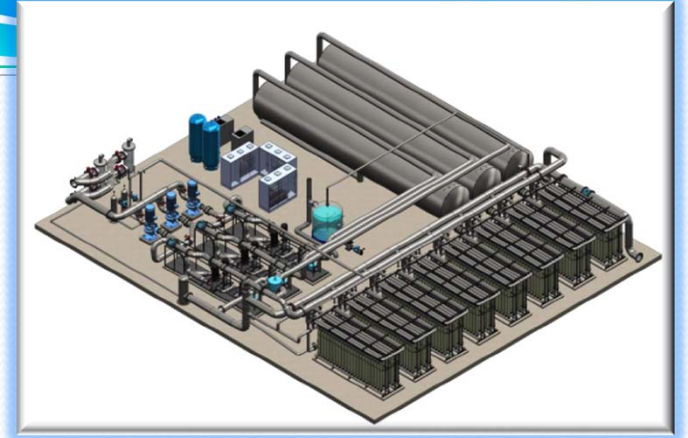




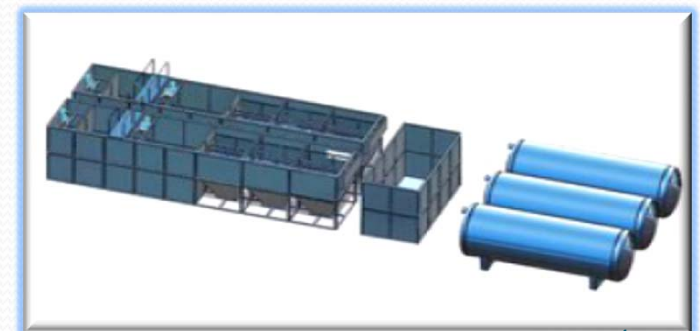
## Water and Wastewater Treatment Sector:

We offer a wide range of high-quality products, complete standard domestic, a wide variety of components and industrial installations as well as made to measure equipment.

We provide several services such as design and implementation of water and wastewater treatment plants in several capacities and ranges. We design, build and install products and systems for water treatment according to the European specifications and standards, to meet clients specific water quality and application requirements.



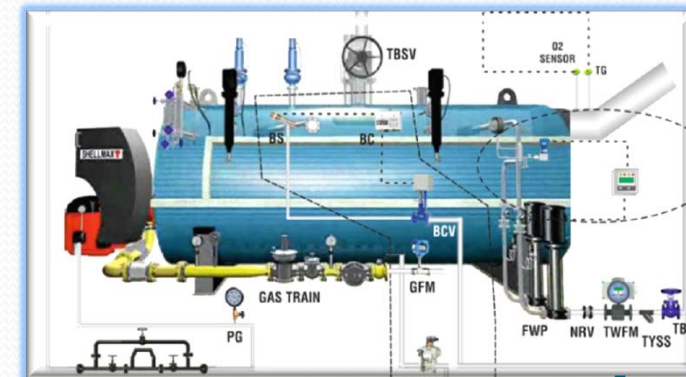
Our ambitious plans and programs aim to spread out and promote these products in the markets and contribute to introducing the latest processing techniques to the markets and to achieve an equivalent access to high quality and competitive prices contenting our clients' desire. We help our clients with their needs for the water & wastewater treatment systems, projects, and equipment. Our warehouse allows us to keep a large number of components and spare parts and Domestic Systems in stock, ensuring the best service and short delivery times.





## Type of products which we can offer:

- \* Softeners.
- \* Filtration.
- \* Reversed Osmosis for softened, drinking, brackish and sea water.
- \* Ultra-Filtration.
- \* Point Of Use Devices (POU).
- \* POU Filtration Systems.
- \* POU Drinking Water systems.
- \* Booster Units.
- \* Blow down Systems.
- \* Water Storage Tanks.



## Electrical Substations:

We can offer high quality products of various types of M.V switchgear, M.V substation, power resistors, medical power and control panels, smart grids, electrical protection devices and railway solutions.

We offer you the right product and solution in the most difficult conditions.

## Electrical Transformers:

Distribution and Power Transformers, Which we can supply are designed and industrialized in accordance with the international standardization (IEC-60076) , These accumulated facilities are suitable to provide complete satisfaction to customers power distribution and other industrial utilities.





## Pumps for all purposes:

We can offer high quality products for efficient, energy-saving pump solutions.

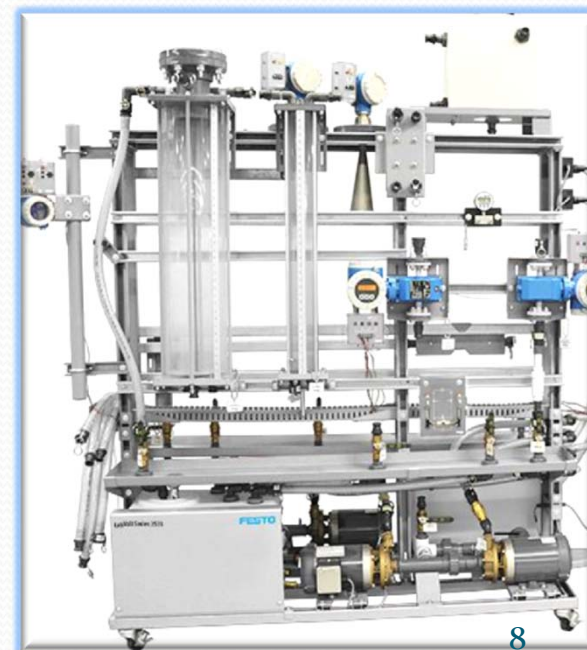
Horizontal end-suction multistage pumps, Vertical in-line multistage pumps, submersible pump, The new generation of pumps features a full range of sizes and limitless scope for combinations to suit your specific needs.

Pumps and pump systems for heating, air conditioning, cooling, pressure boosting, water supply and sewage disposal in domestic households, administrative and commercial buildings, Submersible pumps for water supply from water wells, agriculture, dewatering and industrial applications.



## Instrument and control

We are a leading supplier of measuring devices, a global leader in measurement instrumentation services and solutions for industrial process engineering. We provide process solutions for flow, level, pressure, analytics, temperature, recording and digital communications, and optimizing processes in terms of economic efficiency, safety and environmental impact. Our customers come from various industries, including chemical, food & beverage, life sciences, power & energy, primaries & metal, oil & gas and water & wastewater services and solutions for industrial process engineering.





## Heavy Duty Trucks

We supply a wide range of heavy duty trucks, Rear Loading Compactors Systems Garbage Trucks, sweeper, Buses, Special Trucks, Engines and their sets spare parts and special chassis. All these have generated variety models comprising heavy duty truck, medium duty truck, light duty truck, mining dump truck, special-purpose vehicle and bus, We provide the best and complete supply of products for our customers, to satisfy the demands of our customers and provide a new and super service.



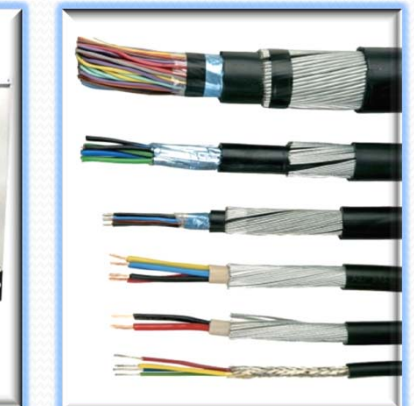
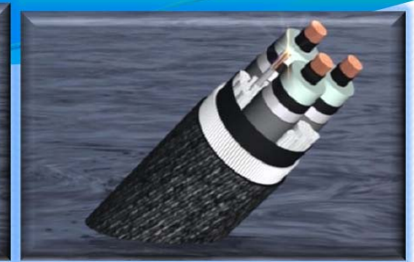
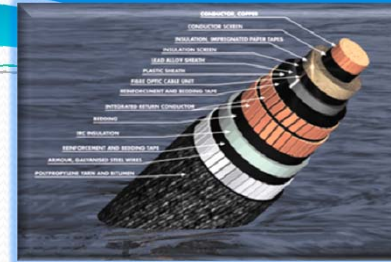


Our good reputation comes from our previous works and our efficient relations with the international firms. These firms have been selected carefully based on their activity in supplying, high quality materials and equipment, with terms of trade in the commercial process.





**URANUS** through the past few years has signed many contracts with different ministries and their companies. We are quite serious to develop our company and its performance in very near future with many international suppliers and manufacturers , engineering and contracting companies , to adopt a sort of agreement as to be their partners . Our keen desire to activate the Iraqi economy and to connect the companies with the end users to satisfy their benefits and tasks.



## OUR PARTNER

**JAC / Jordan**  
**Jordan Aeronautical-systems Company**



**HYUNDAI / South Korea**  
**Hyundai Engineering & Construction Co., Ltd.**  
**IRAQI AIR FORCE / IRAQ**



**Umran / Turkey**  
**Umran Steel Pipe**



**Regil Sistemi / Italy**  
**Rigel Sistemi S.p.A.**



**Graind / Italy**  
**CRAIND IMPIANTI SRL UNIPERSONALE**





**Prysmian / Italy**  
**Prysmian Group**

**CCECC / China**  
**China Civil Engineering Construction Corporation**

**China Railway Shanhaiguan Group. Co. Ltd / China**

**ABB Ltd**

**ASB Group / Turkey**

**PCK / China**  
**Guangzhou Pearl River Petroleum Steel Pipe Co., Ltd.**

**Prysmian**  
Group



GROUP



**Al-Bawaker Contracting Est. / Kingdom of Saudi Arabia**



**JGC / Japan  
JGC Corporation**



**INDIPCO / Saudi Arabia  
International Ductile Iron Pipes Co. Ltd.**



**Xinxing / China  
Xinxing Ductile Iron Pipes Co. , Ltd**



**CNCEC / China  
China National Chemical Engineering Group Corporation**





**CETEC / China**  
**CETEC International Engineering Limited**



**PAM / France**  
**Saint Gobain – PAM**



**DORCE / Turkey**  
**DORCE Prefabricated Building & Construction Industry Trade Inc.**



**Bombas / Spain**  
**BOMBAS IDEAL, S.A.**



**CEEC / China**  
**China Energy Engineering Group Co., Ltd.**



**STX / South Korea**  
**STX Heavy Industries Co. Ltd**



**ASDEM YAPI INSAAT / Turkey**  
**ASDEM CONSTRUCTION**



**SCOP / Iraq**  
**State Company of Oil Projects**



**Instalmec / Italy**



**Tefirom / Turkey**





**CPECC / China**  
**China Petroleum Engineering and Construction**



**CPP / China**  
**China Petroleum Pipeline Engineering**



**AS Pipe / South Korea**

**TK Cooperation / South Korea**

**SK / South Korea**

# Contacts

## IRAQ – Baghdad

Baghdad – Al-Mansour, 14 Rammadhan St.  
Building No. 4, M. 609, Z. 22,  
Tel: +964 1 5420954  
Fax: +964 1 5412779  
Mobile: 00964 7901906291  
P.O. Box: 15033  
Website: [www.uranus-iq.com](http://www.uranus-iq.com)  
Email: [info@uranus-iq.com](mailto:info@uranus-iq.com)

## IRAQ – Basra

Basra – Manawe Basha..  
Building No. 16  
Mobile: 00964 7901906291  
Email: [info@uranus-iq.com](mailto:info@uranus-iq.com)

## JORDAN

Amman, Wasfi Al-Tal St. (Al-Gardens),  
Pc Plaza Building No. 84,  
Tel: +962 6 5688890  
Fax: +962 6 5688892  
Mobile: 00962 796748487  
P.O. Box: 4265 Amman – 11953  
Email: [info@uranus-iq.com](mailto:info@uranus-iq.com)